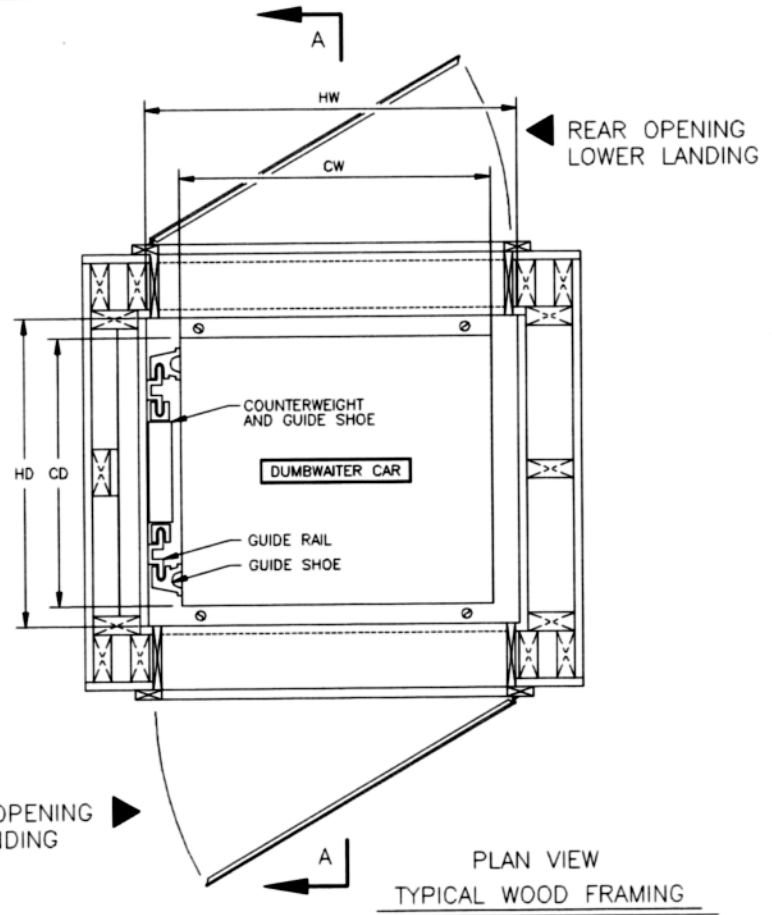


**FRONT ELEVATION**  
(WALL REMOVED)

**SECTION A-A**



**PLAN VIEW**  
TYPICAL WOOD FRAMING

ALL DIMENSIONS ARE FINISH(TOP NUMBERS ARE METRIC)

COMMERCIAL MODEL	DIMENSIONS	(HW) HOISTWAY WIDTH	(HD) HOISTWAY DEPTH	CAR DIMENSIONS			CAPACITY KILOS (lbs)	(E) EQUIPMENT SPACE	(H) TOP FLOOR TO CEILING	LIFT RATIO
				(CW) WIDTH	(CD) DEPTH	(CH) INSIDE HEIGHT				
C24FR	METRIC	71	58	60	50	76	96	78.7	246	5.4
	INCHES	(28")	(23")	(24")	(20")	(30")	(150)	(31")	(8'-1")	



**MILLER MANUFACTURING INCORPORATED**  
165 Cascade Court  
Rohnert Park, CA 94928-1683

**NOTE:**  
1. WHEN USING METAL STUDS, ALL GUIDE RAIL BLOCKING AND MACHINE SUPPORT BLOCKING, SHALL BE PRESSURE TREATED LUMBER.