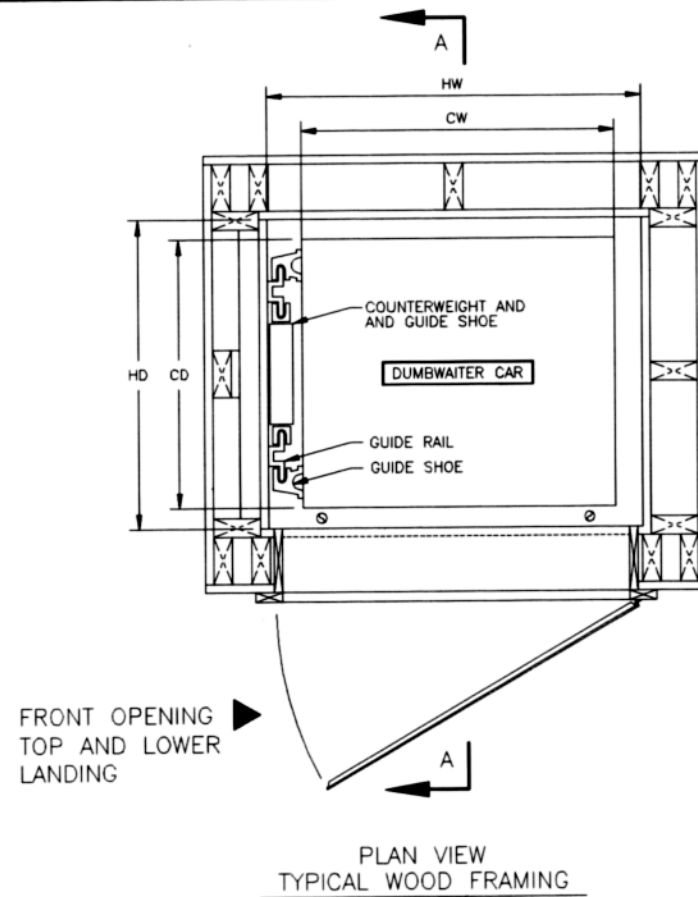


NOTE:

1. WHEN USING METAL STUDS, ALL GUIDE RAIL BLOCKING AND MACHINE SUPPORT BLOCKING, SHALL BE PRESSURE TREATED LUMBER.



**MILLER
MANUFACTURING
INCORPORATED**
165 Cascade Court
Rohnert Park, CA 94928-1683



ALL DIMENSIONS ARE FINISH(TOP NUMBERS ARE METRIC)

COMMERCIAL MODEL	DIMENSIONS	CAR DIMENSIONS					CAPACITY KILOS (lbs)	(E) EQUIPMENT SPACE	(H) TOP FLOOR TO CEILING	LIFT RATIO
		(HW) HOISTWAY WIDTH	(HD) HOISTWAY DEPTH	(CW) WIDTH	(CD) DEPTH	(CH) INSIDE HEIGHT				
C36F	METRIC	101.6	99	91	91	106.6	160	106.6	289.5	8.3
	INCHES	(40")	(39")	(36")	(36")	(42")	(250)	(42")	(9'-6")	